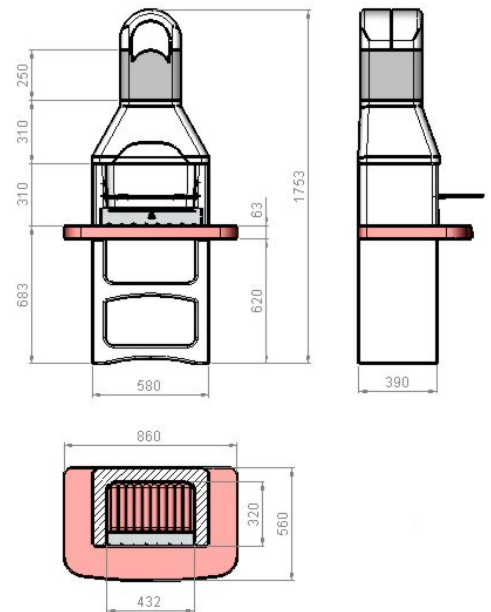




Barbecue with colored worktop made from vibrated refractory cement, complete with chromium plated grill adjustable on two levels.

For use with charcoal!

MCZ CODE	57308
EAN CODE	8018459573084
WEIGHT KG	220
DIMENSIONS (CM)	86 x 56 h 176
PALLET (CM)	48 x 67 h 140
Q.TY TRUCK	100
Q.TY CONTAINER	69



NR	DESCRIPTION	CODE
1	BASE	27197
2	WORK TOP	27198
3	FIREPLACE	27196
4	HOOD	27203
5	CHIMNEY FLUE	27175
6/7	CHIMNEY CAP	27165
8	CHROMIUM GRILL 47x32	140087
9	SAFETY EMBERS STOP	140239

