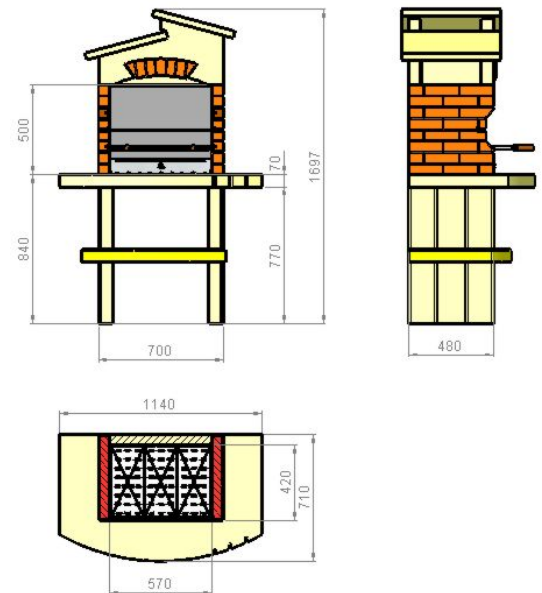




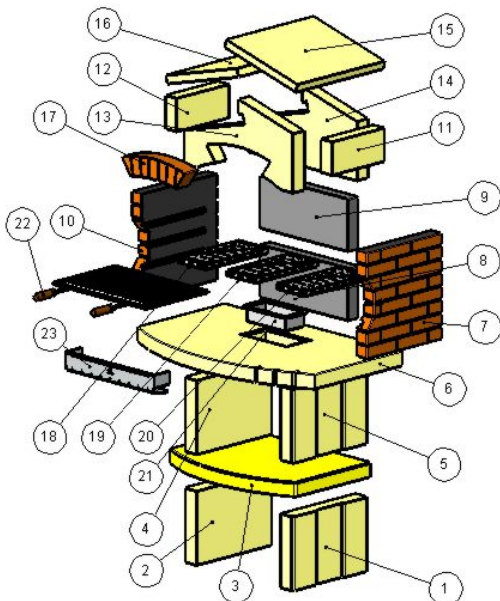
Barbecue in recostituted stone Giallo Mori with sides in DECOR BRICK, made of materials with high mechanical and thermal resistance. Worktop with drawer for accessories. Complete with stainless steel grill adjustable on three levels the new "Easy Fire" steel plate for easy coals lighting and ash box. Designed with placement for a spit. Easy assembly with MCZ Betonfast special glue.

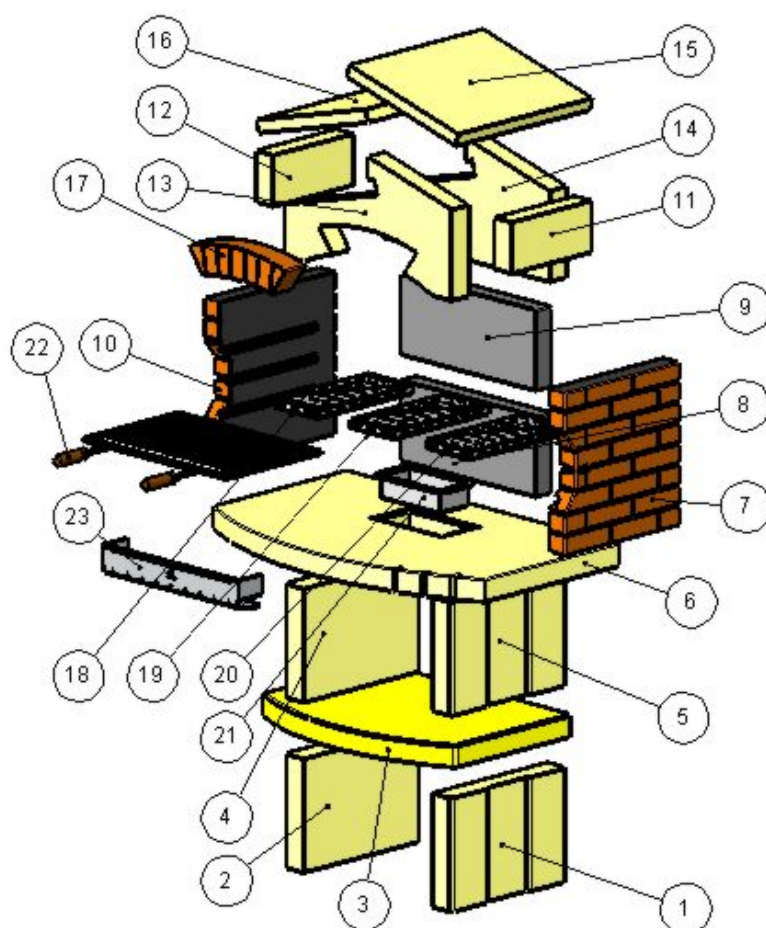
**Can also be used with wood!**

MCZ CODE	57600
EAN CODE	8018459576009
WEIGHT KG	505
DIMENSIONS (CM)	114 x 71 h 177
PALLET (CM)	60 x 90
Q.TY TRUCK	47
Q.TY CONTAINER	38

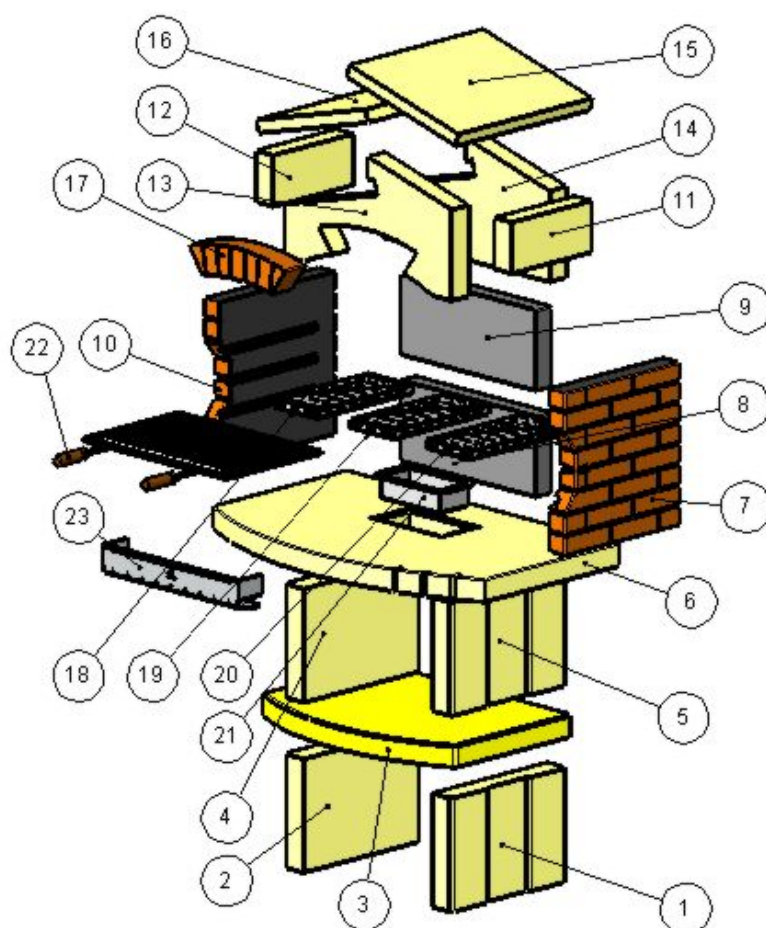


NR	DESCRIPTION	CODE
1/2/4/5	BASE	27557GL
3	BASE SUPPORT	27461GL
6	WORK TOP	27520GL
7/10	SIDE	27505C
8/9	BACK SIDE	27466N
13	FRONTAL CHIMNEY CAP SUPP.	27510GL
14	BACK CHIMNEY CAP SUPP.	27511GL
11/12	LATERAL CHIMNEY CAP SUPP.	27512GL
15/16	CHIMNEY CAP	27235GL
17	VEIL	27509C
18/19/20	EASY FIRE	140204A
21	ASH TRAY	140110
22	STAINLESS STEEL GRILL 60x40	140151
23	SAFETY EMBERS STOP	140241





NR	DESCRIZIONE	COD	U.M.	PEZZI
1/2/4/5	ALZATA CARACAS H.35 GIALLO LVT	27557GL	NR	4
3	RIPIANO ALZATA 81X58 H7 GIALLO LVT	27461GL	NR	1
6	P.LAV.LUXOR 114X71 EASYF.GIALLO LVT	27520GL	NR	1
7/10	FCO MATTONE 48X50 SP6.5 COLOR.ROSSO	27505C	NR	2
13	SUPP.COP.FRONT.VELETTA GIALLO LVT	27510GL	NR	1
14	SUPP.COP.POSTERIORE GIALLO LVT	27511GL	NR	1
11/12	SUPP.COP.LATERALE GIALLO LVT	27512GL	NR	2
15/16	ELEMENT.COPERTURA ASSUAN GIALLO LVT	27235GL	NR	2
17	VELETTA MATTONE COLOR.ROSSO	27509C	NR	1
8/9	SCHIENA 57X25 SP.6 NERO	27466N	NR	2
21	VASCHETTA CENERE CM.16X30 H.6 BBQ	140110	NR	1
18/19/20	REGGIBRACE 40X18,6 H.3 EASY FIRE	140204A	NR	3
22	BISTECCHIERA BIOLOGICA CM.60X40	140151	NR	1
	PALLET 60X90 5T 3MR-6X10	191354	NR	1
	BUSTA MONTAGGIO BBQ.GLASGOW 2008	89050012	NR	1
	REGGETTA IMBALLO 15X0,9	195004	ML	12
	POLISTIROLO PSE 18 700X500X5	194047	NR	6
	BOBINA TUBOLARE 1110X350+350	193009	KG	0,85
	FOGLIO NYLON 1200X1000 120MY	193042	NR	1
23	TAMPONAMENTO BRACI BBQ 566X101 H91	140241	NR	1
	ETICHETTA BBQ CONFORMITÀ CE-EN/1860	89060113	NR	1



NR	DESCRIZIONE	COD	U.M.	PEZZI
1/2/4/5	ALZATA CARACAS H.35 GIALLO LVT	27557GL	NR	4
3	RIPIANO ALZATA 81X58 H7 GIALLO LVT	27461GL	NR	1
6	P.LAV.LUXOR 114X71 EASYF.GIALLO LVT	27520GL	NR	1
7/10	FCO MATTONE 48X50 SP6.5 COLOR.ROSSO	27505C	NR	2
13	SUPP.COP.FRONT.VELETTA GIALLO LVT	27510GL	NR	1
14	SUPP.COP.POSTERIORE GIALLO LVT	27511GL	NR	1
11/12	SUPP.COP.LATERALE GIALLO LVT	27512GL	NR	2
15/16	ELEMENT.COPERTURA ASSUAN GIALLO LVT	27235GL	NR	2
17	VELETTA MATTONE COLOR.ROSSO	27509C	NR	1
8/9	SCHIENA 57X25 SP.6 NERO	27466N	NR	2
21	VASCHETTA CENERE CM.16X30 H.6 BBQ	140110	NR	1
18/19/20	REGGIBRACE 40X18,6 H.3 EASY FIRE	140204A	NR	3
22	BISTECCHIERA BIOLOGICA CM.60X40	140151	NR	1
	PALLET 60X82 5T 2MR-8X10	191326	NR	1
	REGGETTA POLIESTERE 15X0,7	195019	ML	17
	MOQUETTE VERDE CM 86 X 64	180047	NR	1
	COLLANTE "BETONFAST" ML.260	180092	NR	1
	CAPPUCCIO PLAS. 90L 110X80X225	193054	NR	2
	CROWNER LINEA BBQ.STONE/BRICK	89050105	NR	1
23	NASTRO BIADRESIVO TELATO H50	120691	ML	2
	STICK TERMOCOLLA GIALLA	180112	NR	1
	TAMPONAMENTO BRACI BBQ 566X101 H91	140241	NR	1
	ROTOLO FOGLIO NYLON H.120 60MY	193008	KG	0,05
	POLISTIROLO PSE 35 700X80X15	194066	NR	3
	ETICHETTA BBQ CONFORMITÀ CE-EN/1860	89060113	NR	1